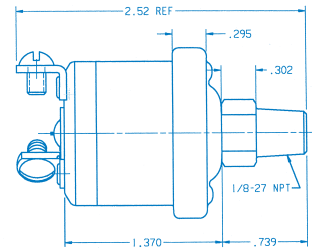
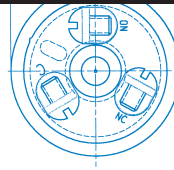


835 SERIES PRESSURE SWITCHES

With Direct-Action Blade Contacts

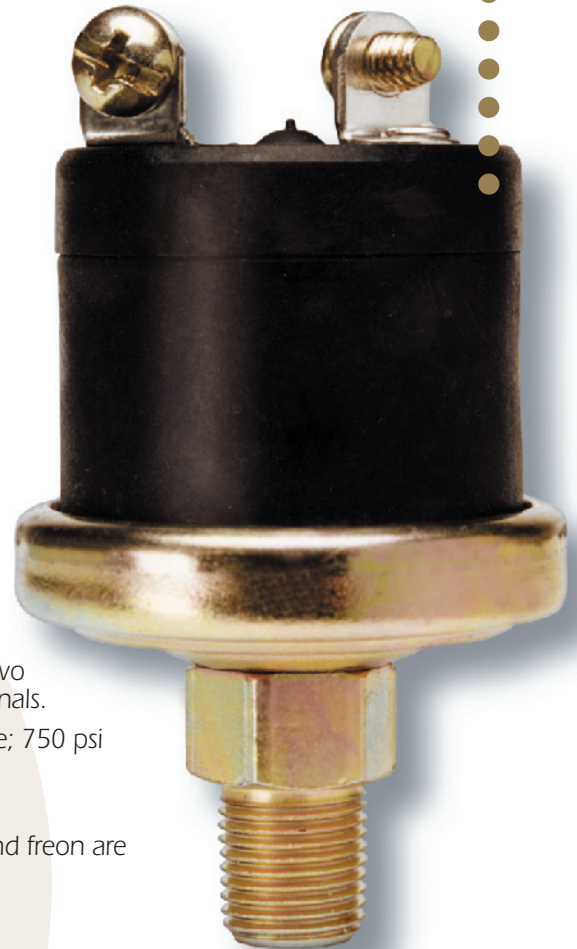


DESCRIPTION:

Rugged, compact and easy-to-install ■ Ideal for most engine, hydraulic and air system related applications ■ Compatible with a variety of hydrocarbon-based fluids and other operating media such as air ■ Sealed system for protection against potentially damaging fluids and air permeability ■ Competitively priced

SPECIFICATIONS:

Size:	2.52" long x 1.47" wide.
Internal Configuration:	Direct-action blade contacts.
Contact material:	Silver alloy.
Diaphragm/"O"-ring:	Polyimide film/nitrile type "O"-ring.
Base:	Zinc-plated steel.
Cover:	Glass-reinforced polyester.
Pressure port:	1/8"-27 NPT pipe threads, steel.
Contact ratings:	Eight (8) amps @ 12VDC; one (1) amp @ 120 VAC.
Screw Terminals:	#8-32.
Set point options:	4, 15, 60 or 100 psi.
Circuit configurations:	Normally opened or closed (each with two terminals) or dual-circuit with three terminals.
Operating pressure:	150 psi maximum; 300 psi proof pressure; 750 psi burst pressure.
Operating temperature:	-20 F to 200 F.
Operating media:	Air, motor oils, transmission oils (water and freon are NOT recommended).



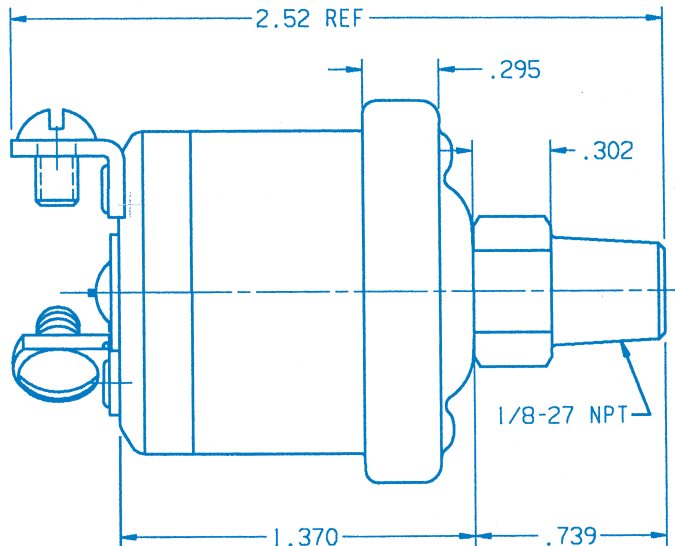
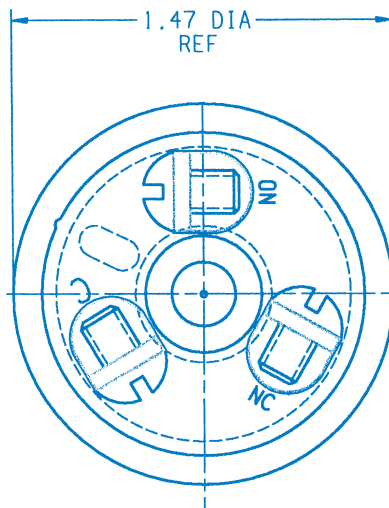
APPLICATION:

Suitability of application is the responsibility of the user. Extreme heat (in excess of 200 F) and vibration must be avoided. Install only by using a wrench on the hex base. Torquing at any other side of the switch voids warranty and may cause malfunction. Polyimide film diaphragm is NOT recommended for use with water or freon. Compatibility of the steel base and the actuating media is the responsibility of the user. Maximum operating pressure is 150 psi. Consult your local dealer for more information as required.



835 SERIES PRESSURE SWITCHES

FACTORY SETTING (PSI)	CIRCUITRY	SINGLE CIRCUIT TWO TERMINAL	DUAL CIRCUIT
4	N.O.	109746	109754
	N.C.	109747	
15	N.O.	109748	109755
	N.C.	109749	
60	N.O.	109750	109756
	N.C.	109751	
100	N.O.	109752	109757
	N.C.	109753	



DISTRIBUTED BY:



1811 Rohrerstown Rd. Lancaster, PA 17601
 (717) 581-1000 Fax (717) 581-5800
www.datcon.com