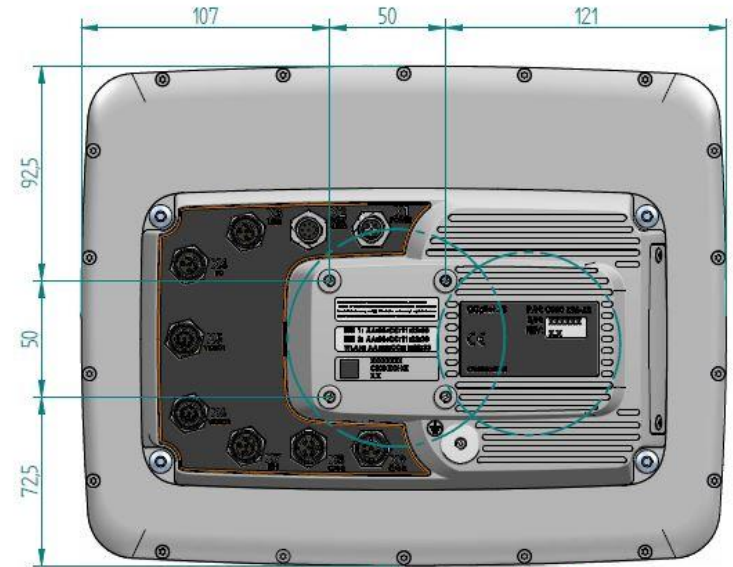
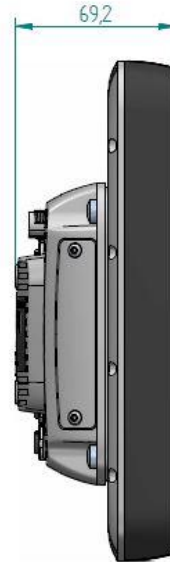
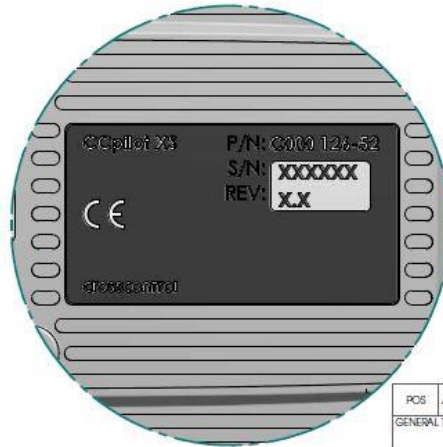


1 2 3 4 5 6 7 8 9 10

NR	CN NR	MODIFICATION	DATE	SGN
3	C601 671-3	Pos 12 changed, pos 10,11 and 13 moved	2018-10-22	CNM



DETAIL A



DETAIL B

POS	ANT/NO	BENÄMNING / NAME	ART NR / PART NO	ANMÄRKNINGAR / REMARKS
GENERAL TOLERANCE		GENERAL SURFACE FINISH Ra	RoHS COMPLIANT	DIRECTIVE 2002/95/EC
-		-	Yes	
CHECKED ANY	APPROVED LOL	NAME	PRODUCT	
DRAWN TSJ	DATE 2013-09-02	CCpilot XS 10" XGA, Linux		
DRAWING NO			SHEET	
crosscontrol crosscontrol.com			C000 126-52	
			5 (5) REVISION D	

THIS DRAWING IS THE PROPERTY OF CROSSCONTROL. PROTECTED IN ACCORDANCE WITH PREVAILING LAW.