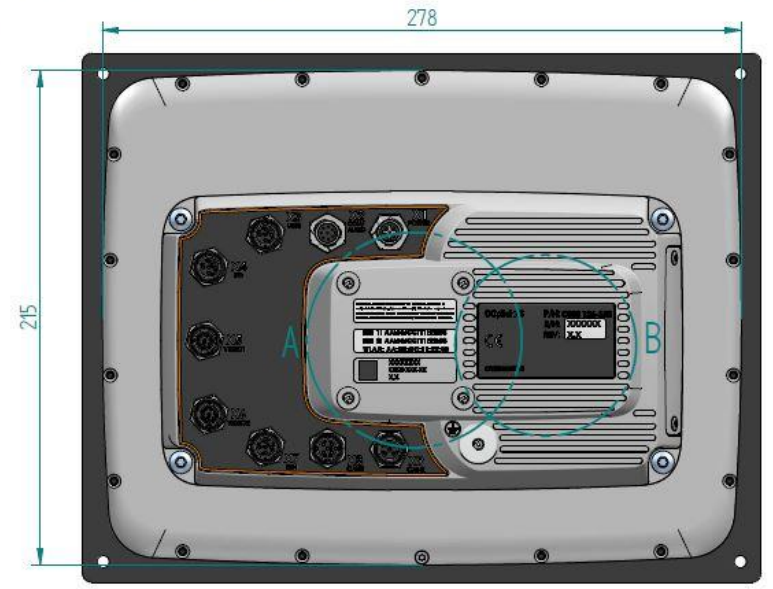


NR	CN NR	MODIFICATION	DATE	SGN
2	C601 671-3	Pos 12 changed, Pos 10,11 and 13 moved	2018-10-03	CNM



DETAIL A



DETAIL B

THIS DRAWING IS THE PROPERTY OF CROSSCONTROL. PROJECTED IN ACCORDANCE WITH PREVAILING LAW.

POS	ANT/NO	BENÄMNING / NAME	ART NR / PART NO	ANMÄRKNINGAR / REMARKS
GENERAL TOLERANCE		GENERAL SURFACE FINISH Ra	ROHS COMPLIANT	DIRECTIVE 2002/95/EC
-		-	Yes	
CHECKED ANY	APPROVED LOL	NAME	PRODUCT	
DRAWN TSJ	DATE 2014-03-25	CCpilot XS 10" XGA, Linux		
			DRAWING NO	SHEET 5 (5)
			C000 126-252	REVISION C